

SR **STANDARD.**

C500E

VHF/UHF FM
W-BAND TRANSCEIVER

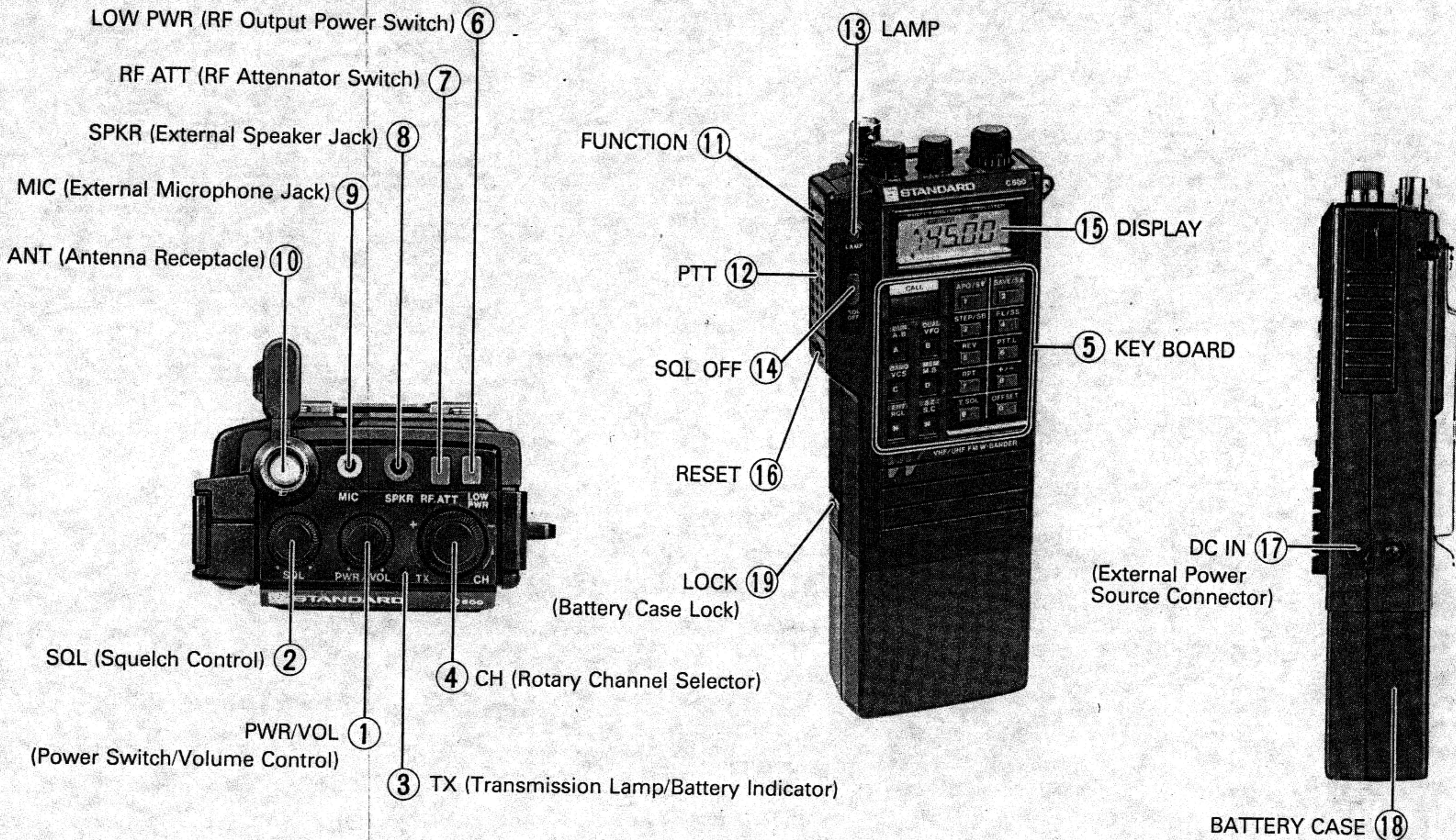
OWNER'S MANUAL

SCHEMATHEEK

*Beh. T. Hultermans
Postbus 4228
5604 EE Eindhoven*



CONTROLS & CONNECTIONS



• Refer to p. 48 as to their operation.

SPECIFICATIONS

- Q: The unit does not transmit.**
Is 'nt TX indicator (LED) disappeared when PTT switch is depressed?
A: Replace the batteries.
Is "P.L" indicated on display?
A: Depress 6/PTT.L while FUNCTION is held depressed to release PTT lock.
- Q: The unit transmit at displayed frequency.**
Is "S" flashed on display?
A: Depress C/[BAND]VCS button depressed to light flashing S.
- Q: Frequency is not changed.**
Is "F.L" indicated on display?
A: Depress 4/F.L/SS button while FUNCTION is held depressed to release the frequency lock.
Is memory recalling mode set?
A: Depress #/[BZ] S.C button.
- Q: No buzzer beeps.**
Buzzer is muted.
A: Release it by depressing #/[BZ] S.C while FUNCTION button is held depressed.
- Q: The frequency is not correctly displayed, in spite of depressing RESET.**
 Lithium battery which backs up microcomputer is consumed.
A: Obtain battery replacement service at our service center or the dealer where you purchased your transeiver unit.

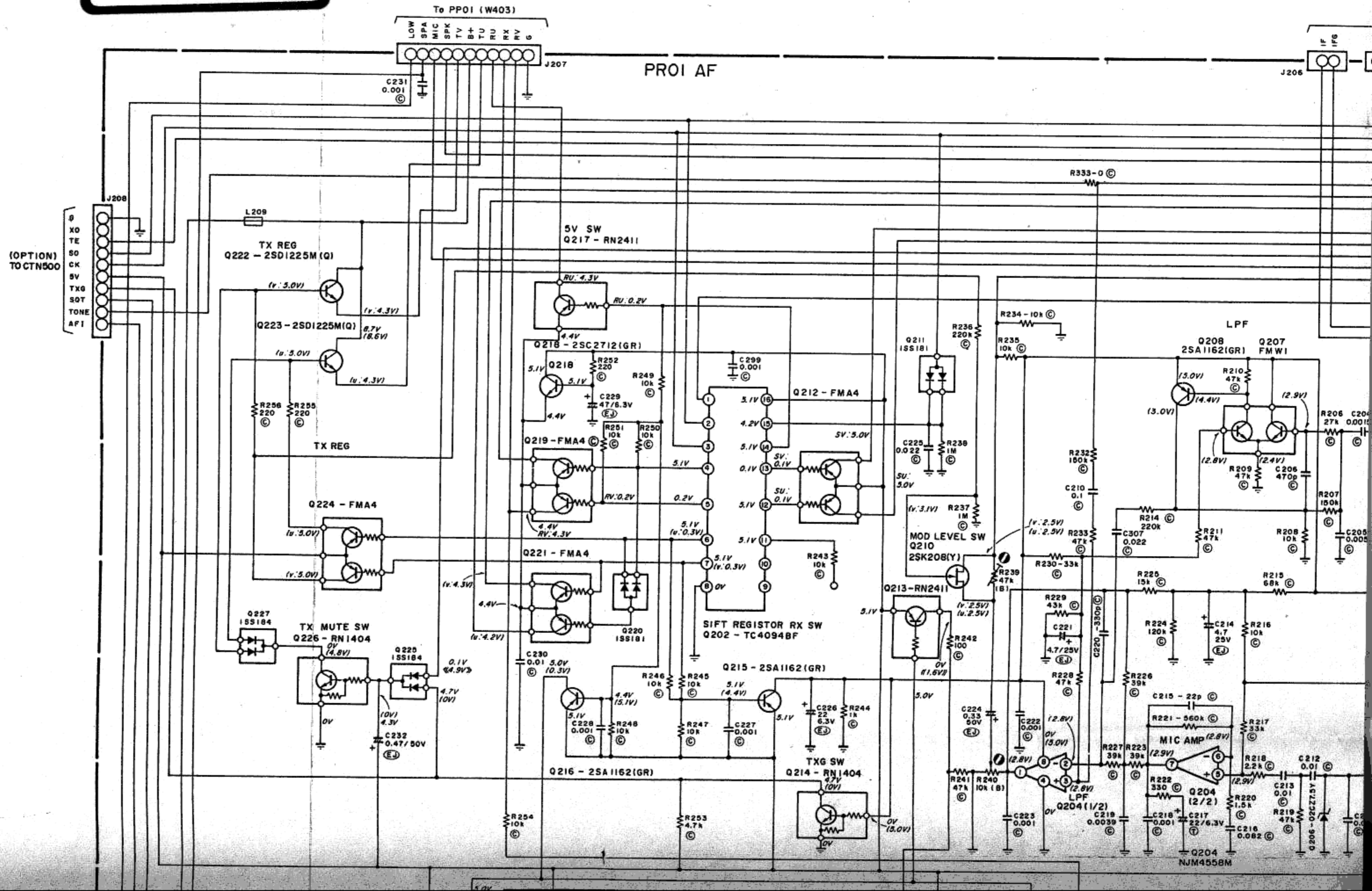
1. GENERAL

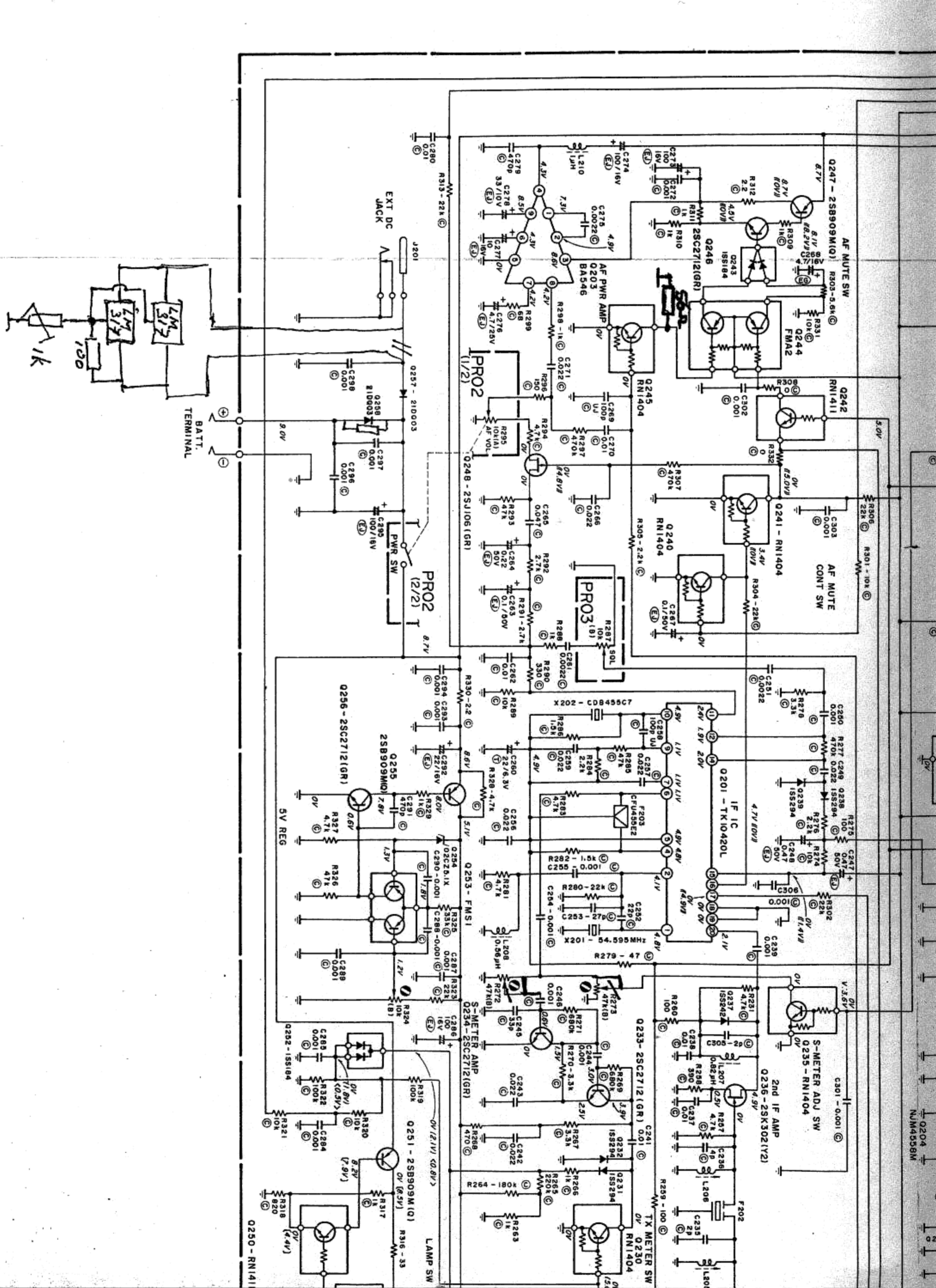
Frequency Range	VHF 144 to 147.995MHz UHF 430 to 439.995MHz (with 5kHz step)
Modulation Type	F3
Microphone Impedance	600Ω
Audio Impedance	8Ω
Antena Impedance	50Ω
Power Supply	9V nominal (Six Nickel-cadmium rechargeable battery or SUM-3)
Input Voltage	5.5 to 16V DC
Current Drain	
Transmission Hi +	approx. 750mA with 2.5W (VHF) approx. 900mA with 2.5W (UHF) approx. 1000mA with 5.0W (VHF) approx. 1300mA with 5.0W (UHF)
Low -	approx. 350mA (VHF) approx. 400mA (UHF)
Reception	approx. 150mA
With no signal	approx. 35mA (VHF) approx. 40mA (UHF)
Battery Save (3:1)	approx. 10mA (VHF) approx. 12mA (UHF)
Demension	173mm(Height) × 60mm(Width) × 34mm(Depth) (without knob & antenna)
Weight (with antenna & battery)	490g



STANDARD

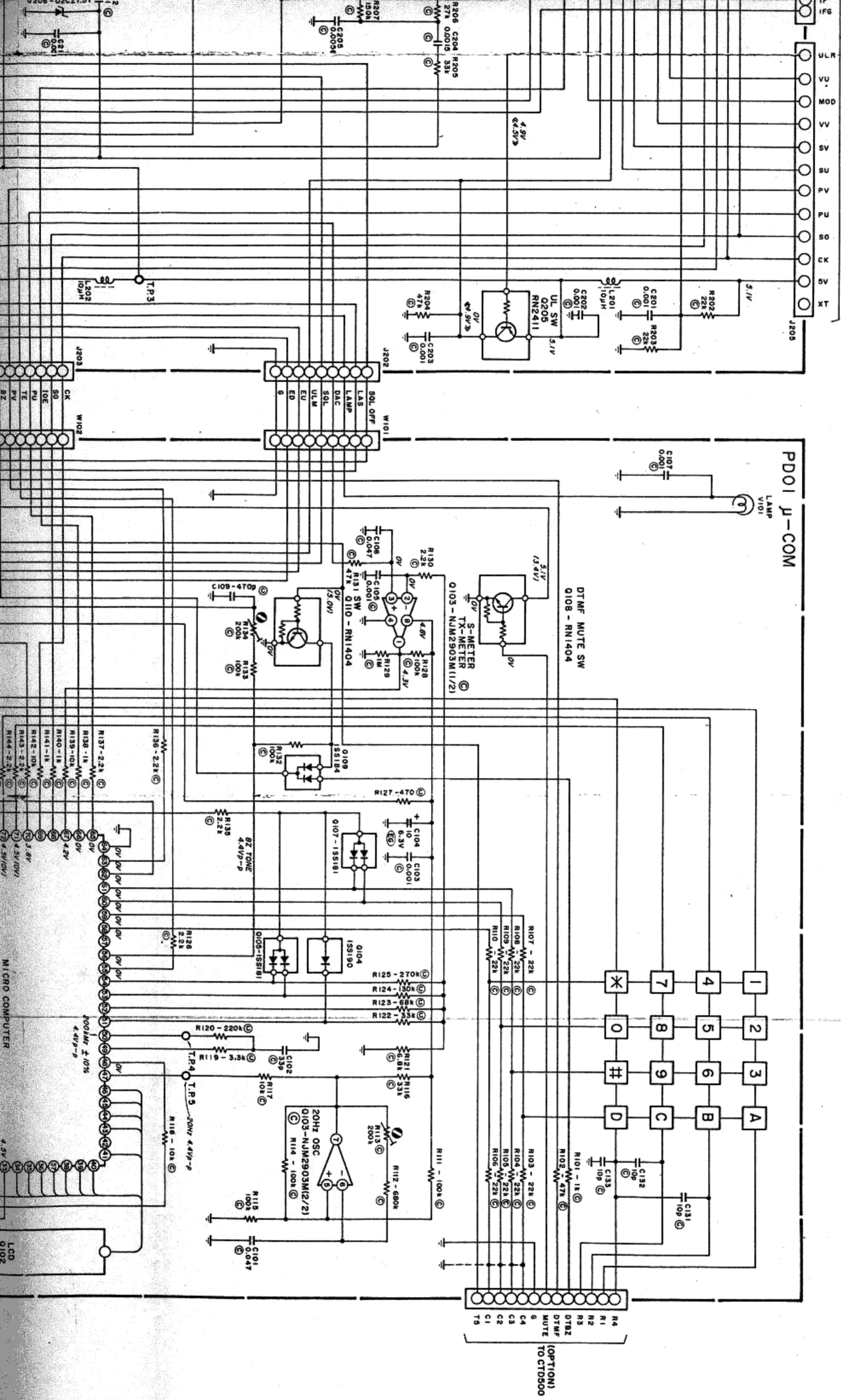
Schematheek
Beh. T. Hultermans
Postbus 4228
5604 EE Eindhoven





SCHEMATIC DIAGRAM FOR MODEL C500E

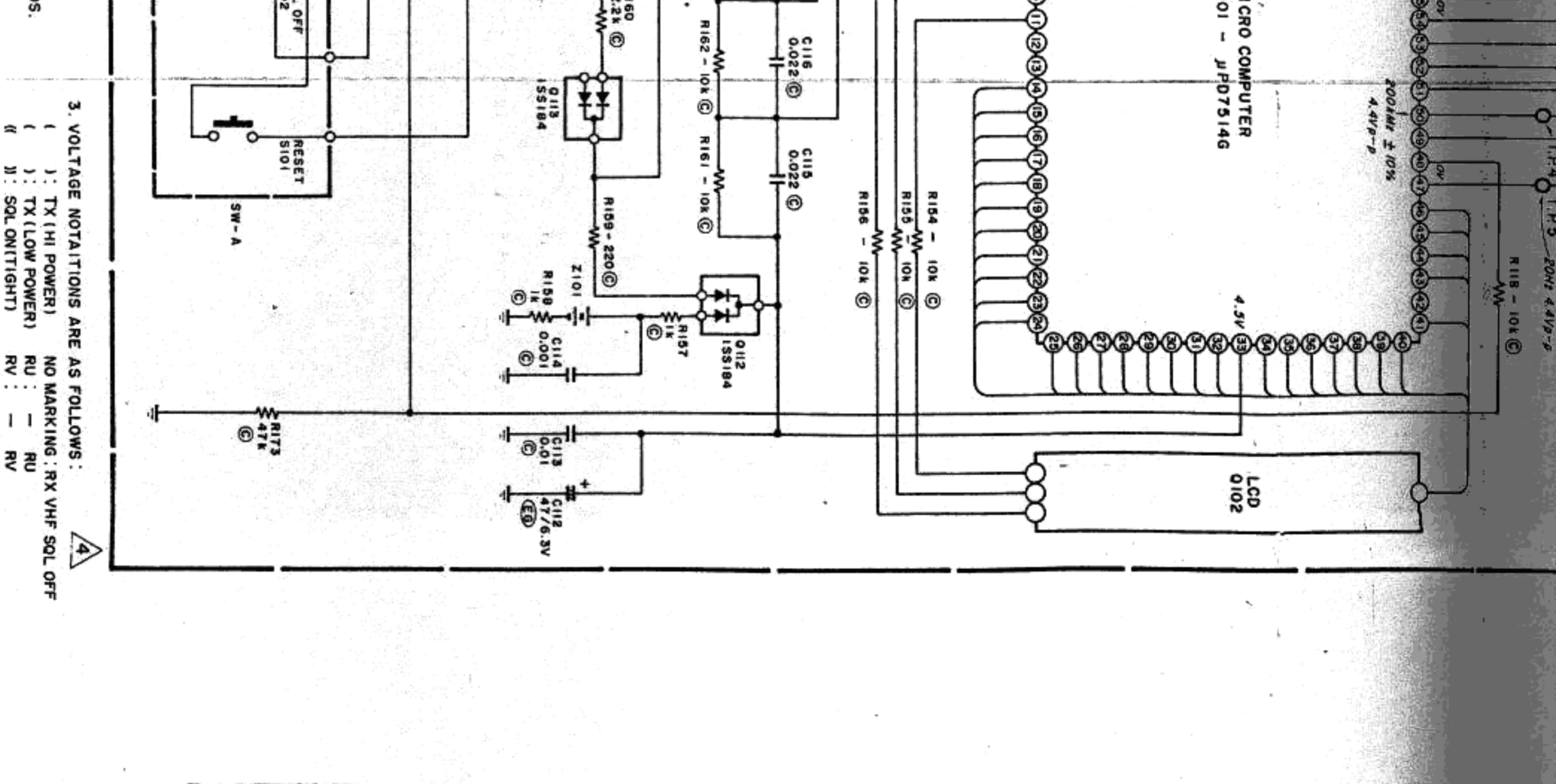
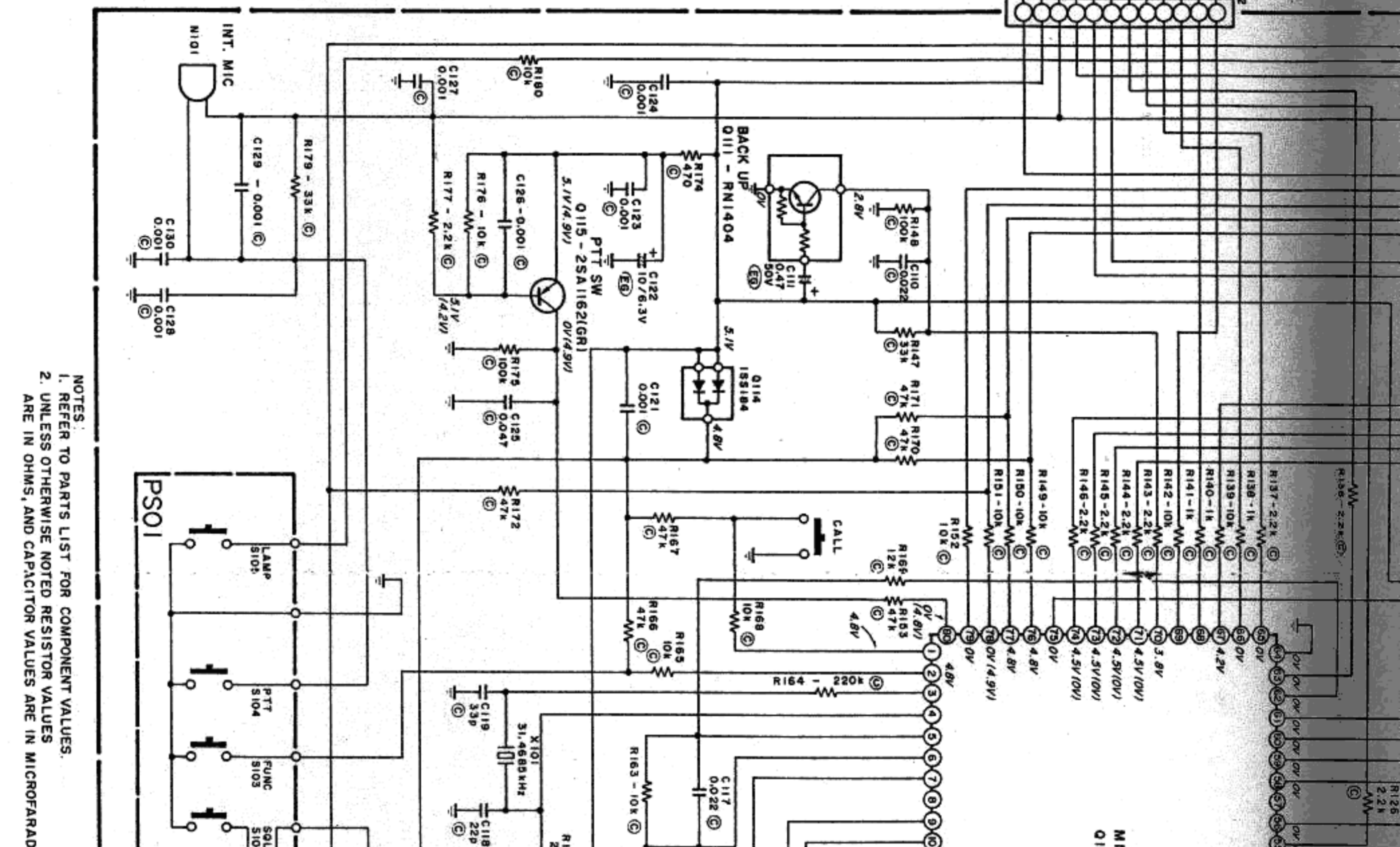
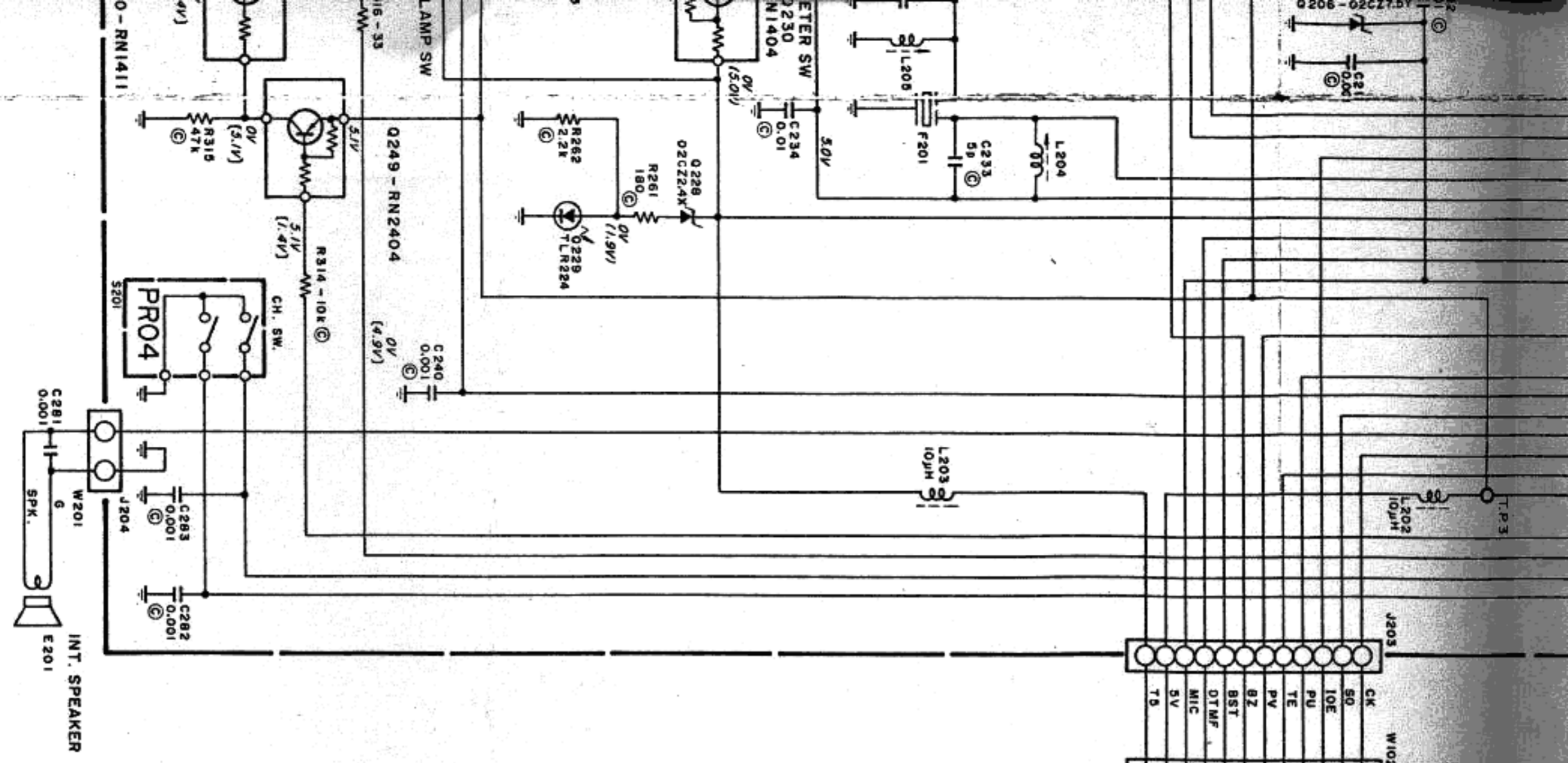
Schematheek
 Beh. T. Hultermans
 Postbus 4228
 5604 EE Eindhoven



To PPO1 (W402, W401)

PD01 μ-COM

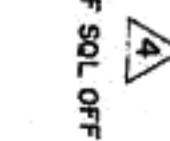
(OPTION)
 TO CTD500

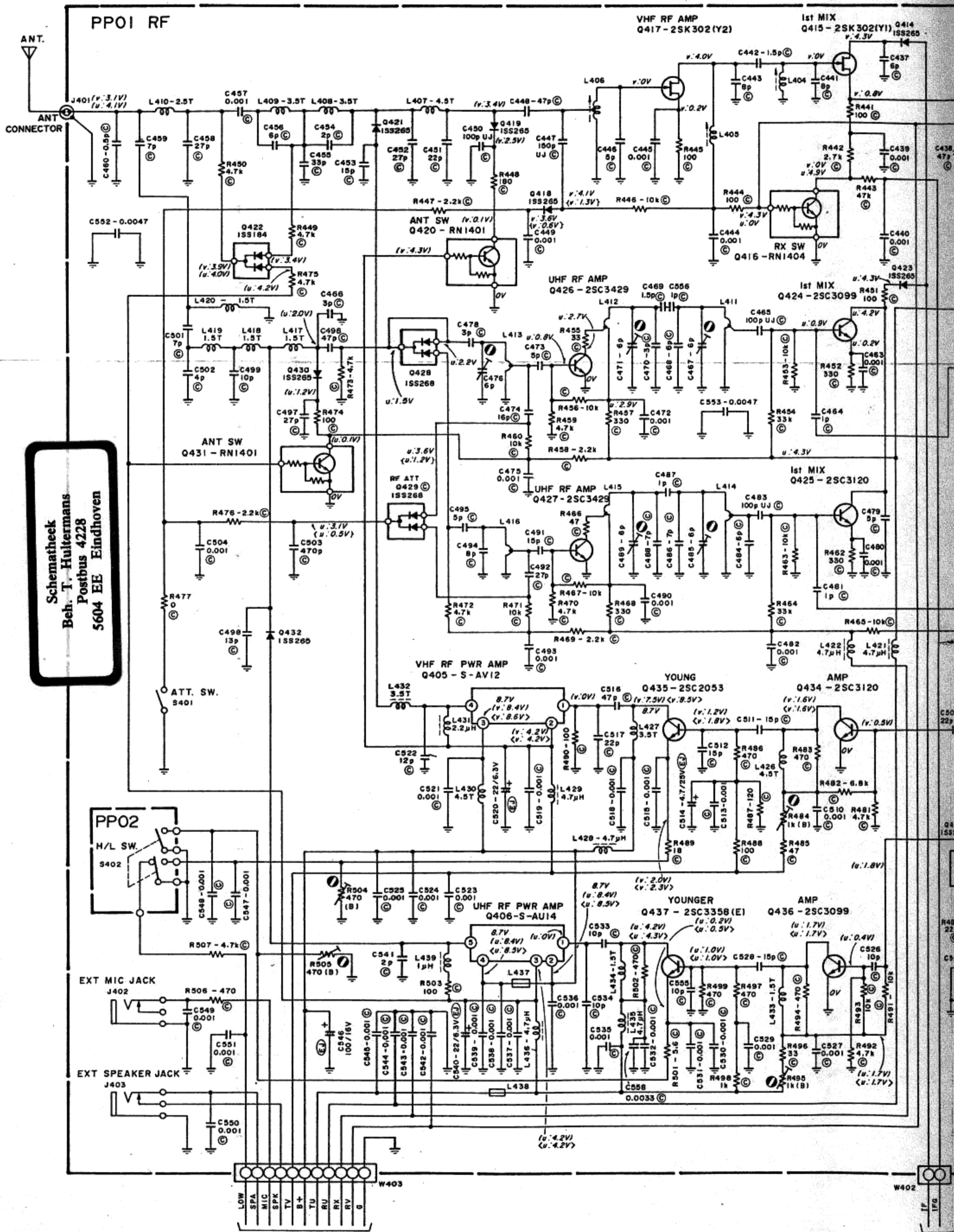


NOTES:
 1. REFER TO PARTS LIST FOR COMPONENT VALUES.
 2. UNLESS OTHERWISE NOTED RESISTOR VALUES ARE IN OHMS, AND CAPACITOR VALUES ARE IN MICROFARADS.

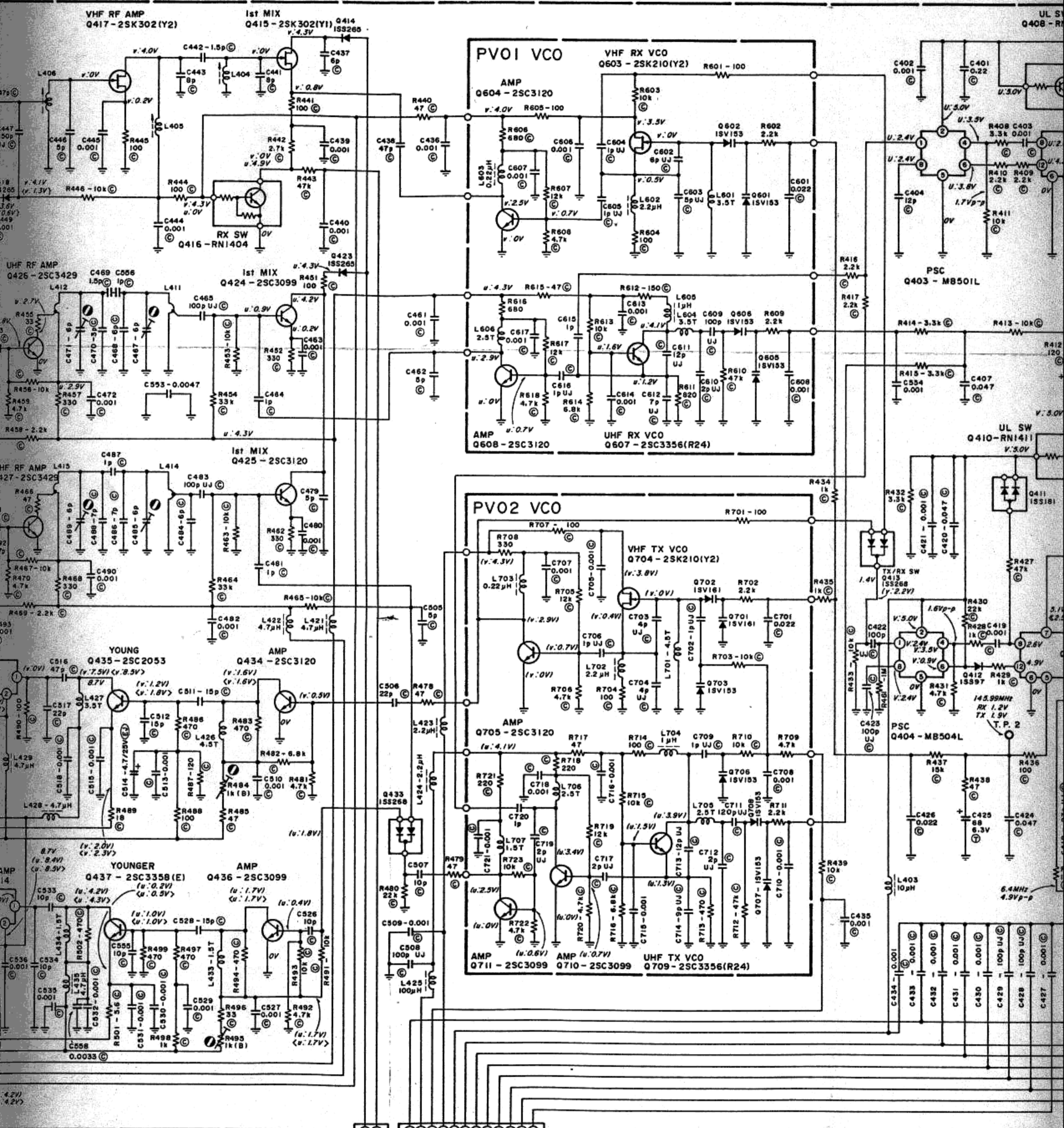
3. VOLTAGE NOTATIONS ARE AS FOLLOWS:
 () : TX (HI POWER)
 () : TX (LOW POWER)
 () : SOL (NIGHT)
 () : UNLOCK
 () : LAMP ON
 () : ATTN

NO MARKING : RX VHF SOL OFF
 RU : RX
 RV : RX
 RX : RX
 SV : RX
 SU : RX



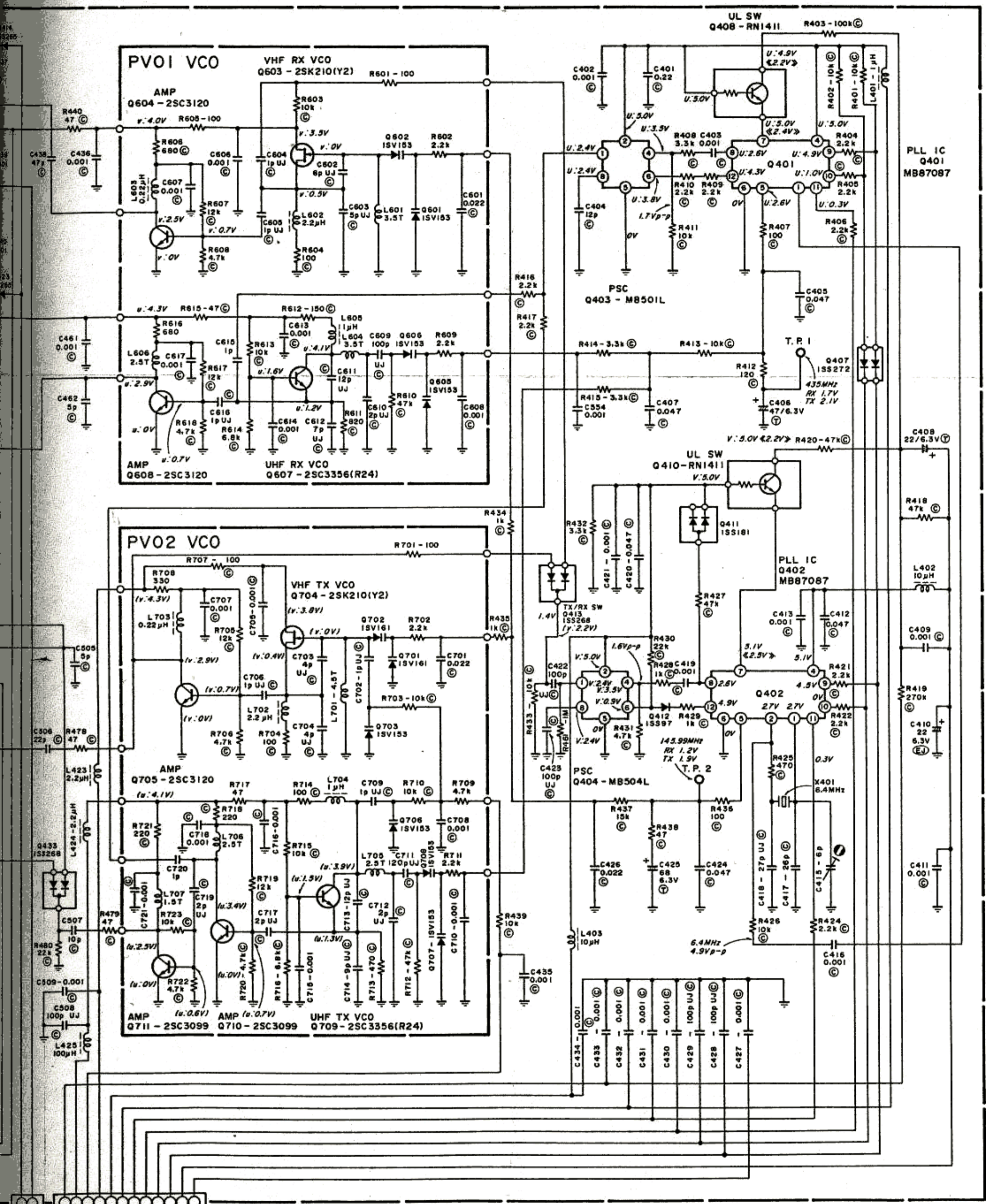


Schematheek
 Beh. T. Hultermans
 Postbus 4228
 5604 EE Eindhoven



NOTES:

- REFER TO PARTS LIST FOR COMPONENT VALUES.
- UNLESS OTHERWISE NOTED RESISTOR VALUES ARE IN OHMS, AND CAPACITOR VALUES ARE IN MICROFARADS.
- VOLTAGE NOTATIONS ARE AS FOLLOWS:
V: - VHF TX/RX
U: - UHF TX/RX
v: - VHF RX
(v: -) VHF TX
u: - UHF RX
(u: -) UHF TX
RX: - RX
NOMARKING: V
(): ATT
< >: UNLO

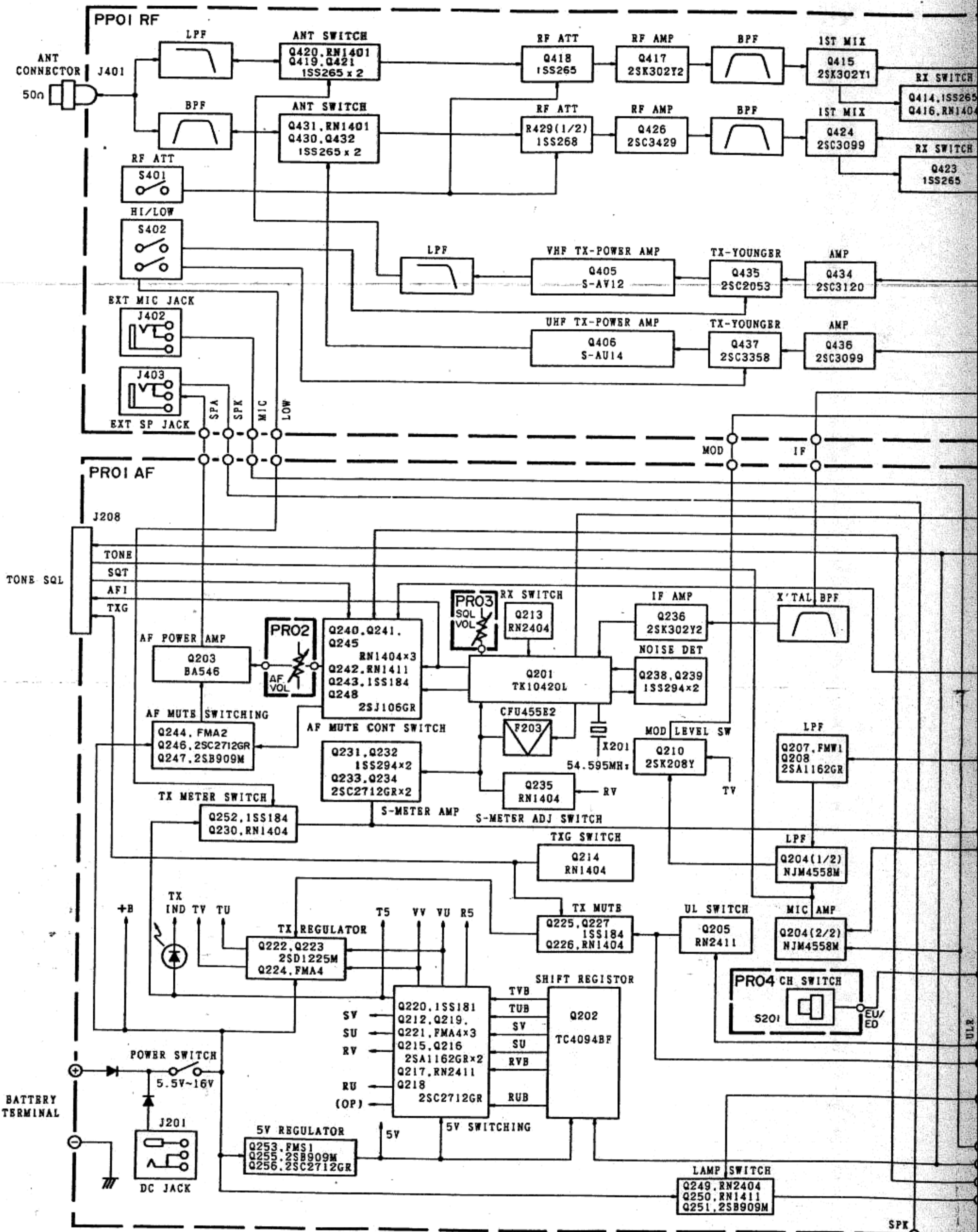


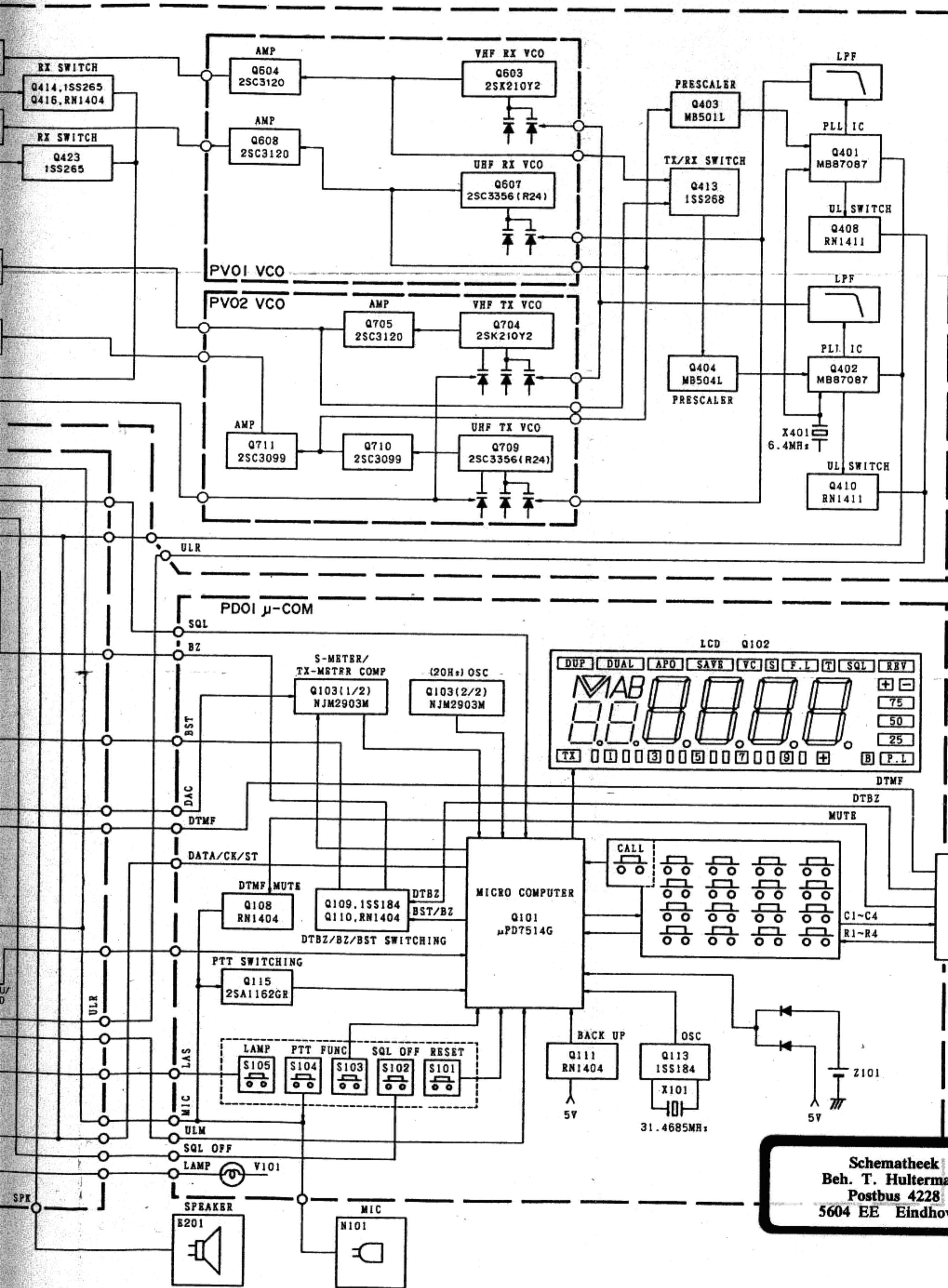
NOTES:
 1. REFER TO PARTS LIST FOR COMPONENT VALUES.
 2. UNLESS OTHERWISE NOTED RESISTOR VALUES ARE IN OHMS, AND CAPACITOR VALUES ARE IN MICROFARADS.

3. VOLTAGE NOTATIONS ARE AS FOLLOWS:
 V : - VHF TX/RX RX : - RX
 U : - UHF TX/RX NOMARKING : VHF RX SQL OFF
 v : - VHF RX () : ATT ON
 (v : -) VHF TX <> : UNLOCK
 u : - UHF RX
 (u : -) UHF TX



BLOCK DIAGRAM





Schematheek
 Beh. T. Hultermans
 Postbus 4228
 5604 EE Eindhoven